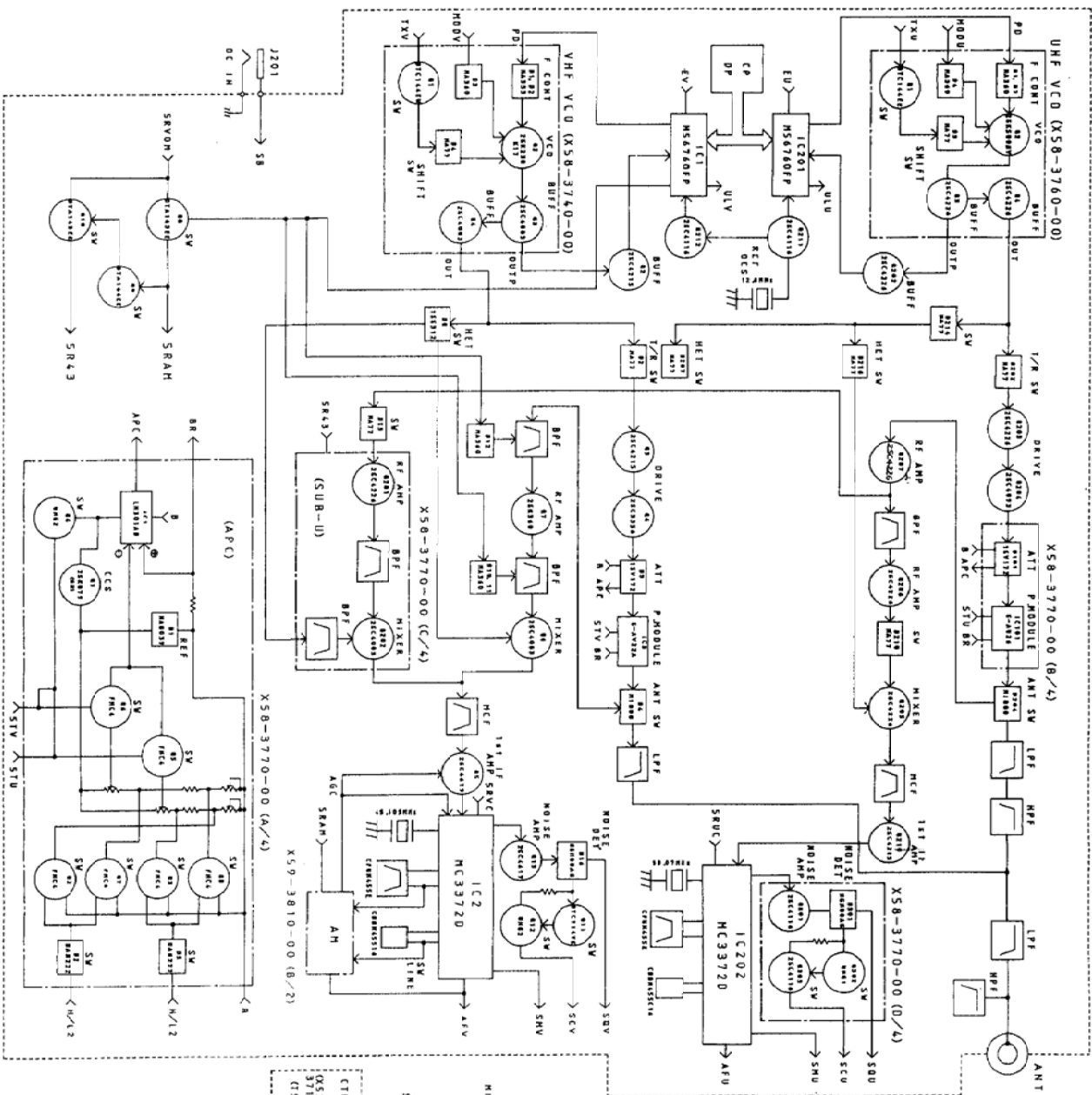
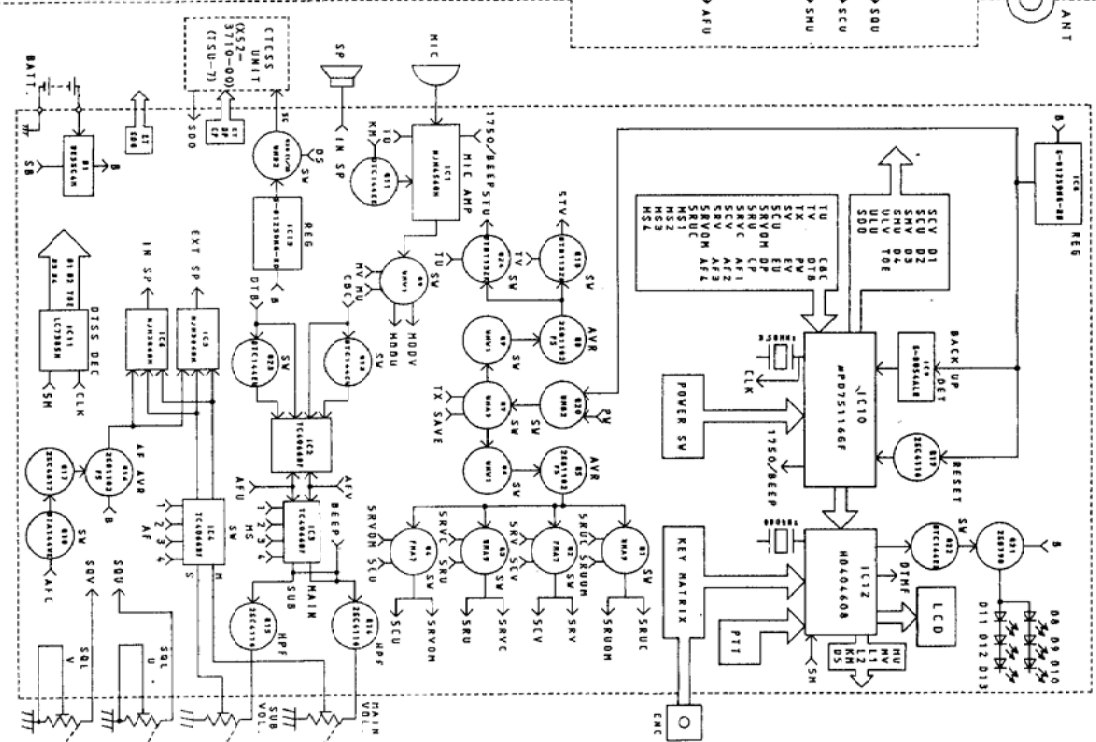


5. TH-77A/77E BLOCK DIAGRAM

TX-RX UNIT (X57-3630-00)

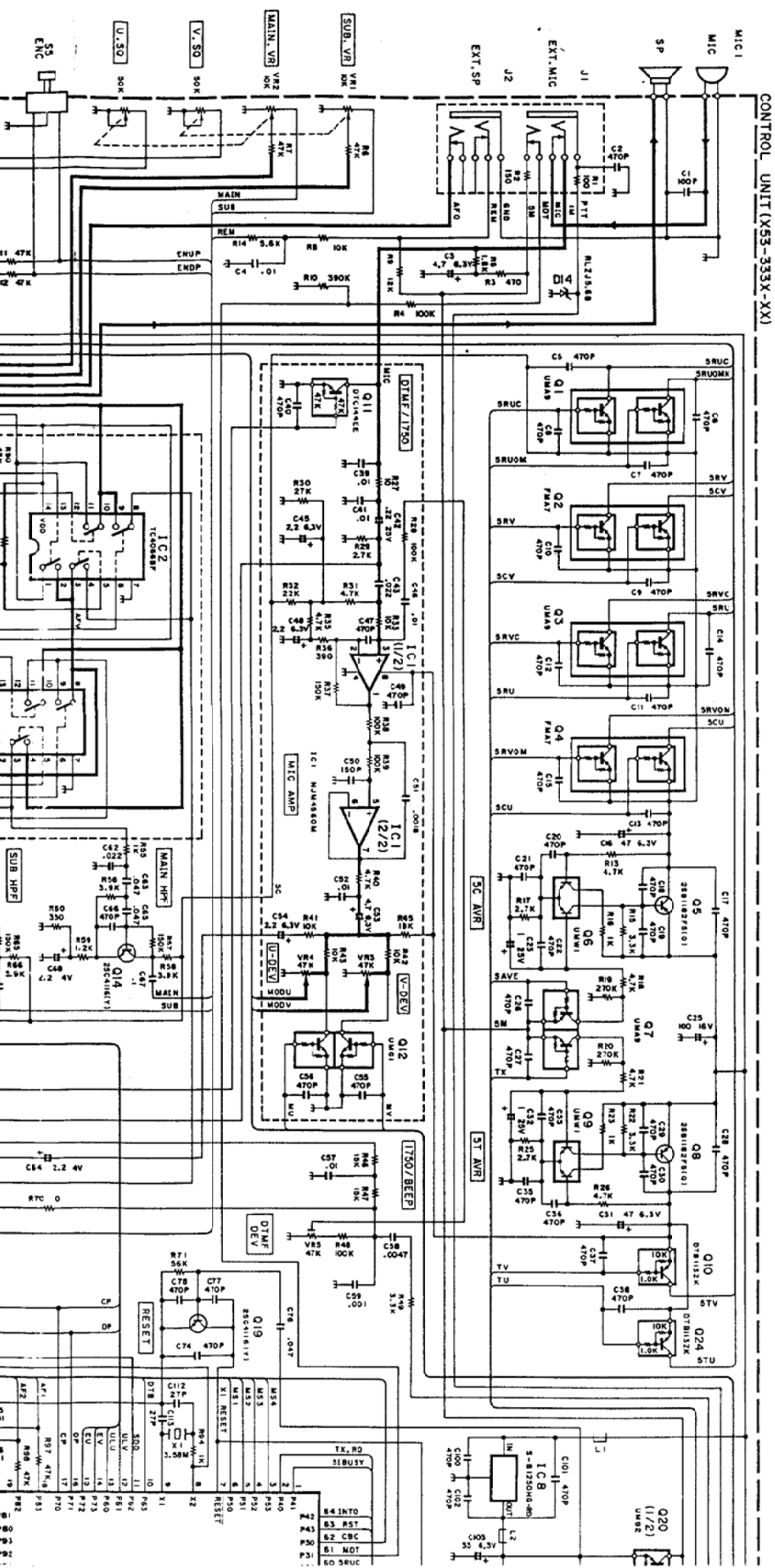


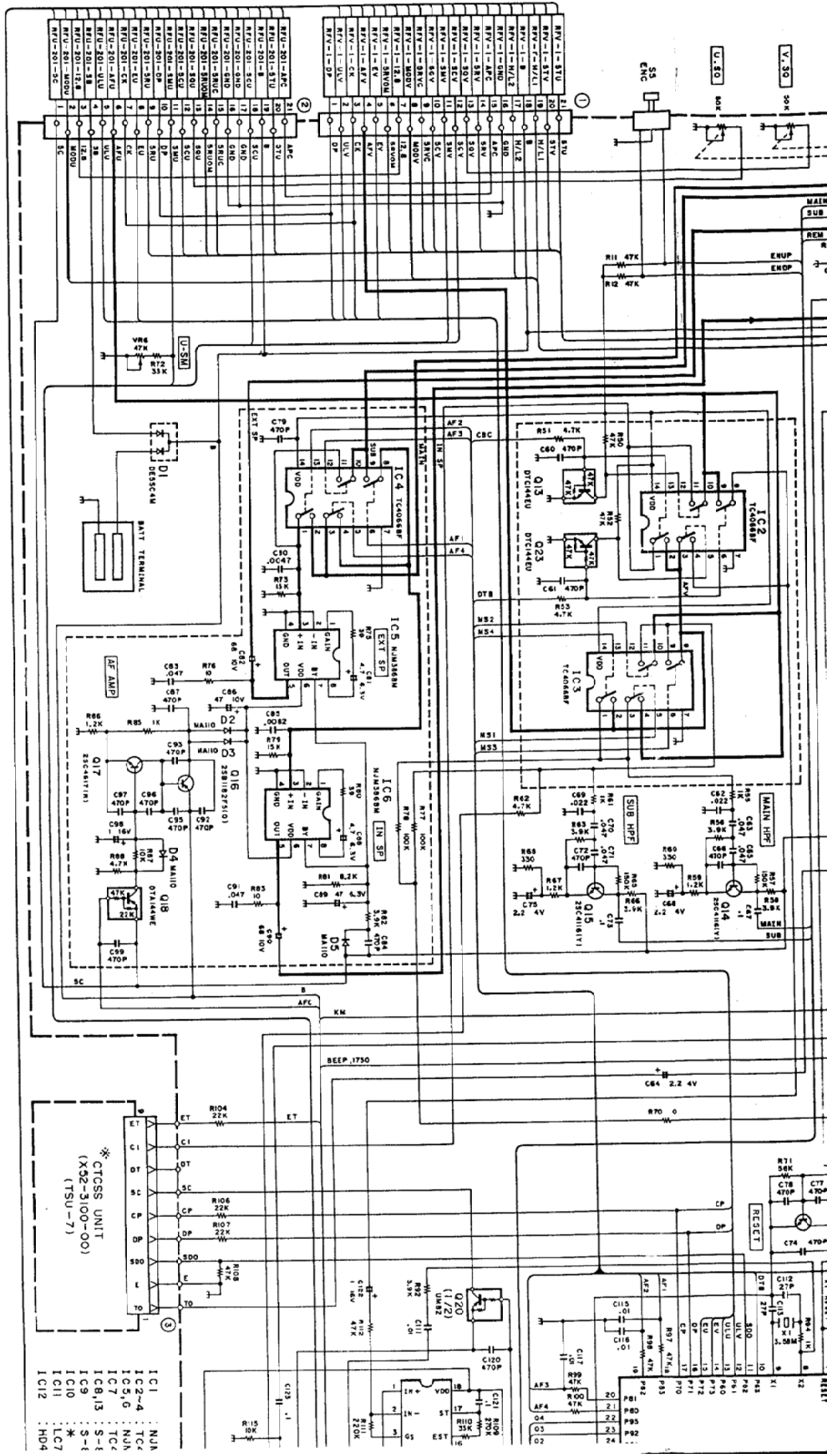
CONTROL UNIT (X53-3330-00)



NOTE: Circuit is subject to change without notice due to advancements in technology.

TH-77A/77E SCHEMATIC DIAGRAM





- IC1 : N/A
- IC2-4 : TC
- IC5,6 : N/A
- IC7 : TC
- IC8,13 : S-4
- IC9 : S-4
- IC10 : *
- IC11 : LC7
- IC12 : HD4

* CTSS UNIT
(XG2-3100-00)
(TSU-7)

BEEP, 1750

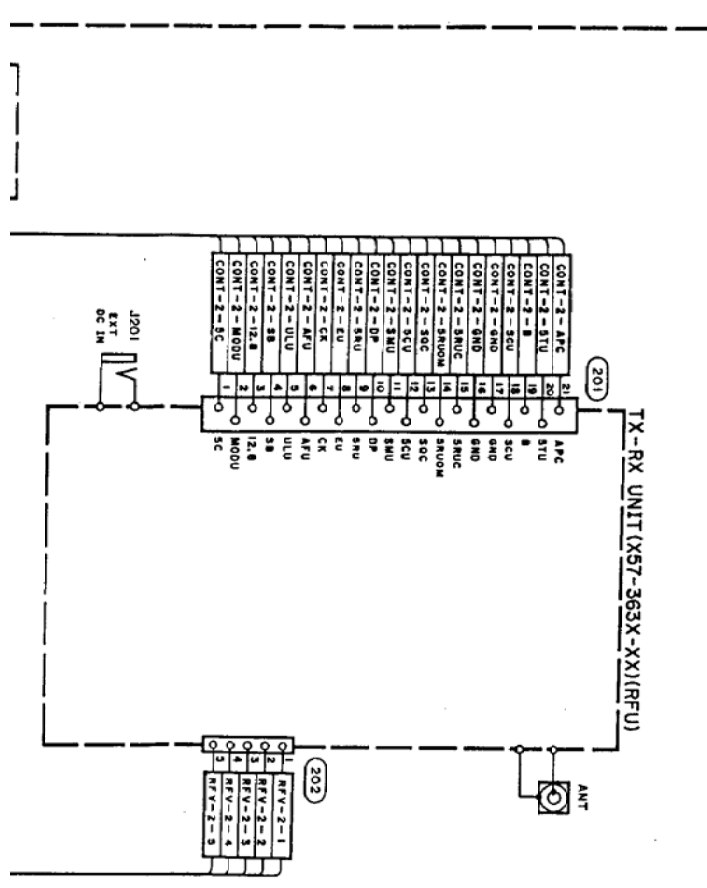
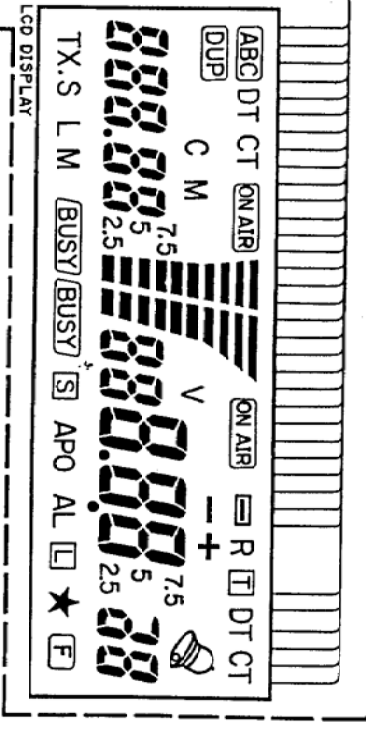
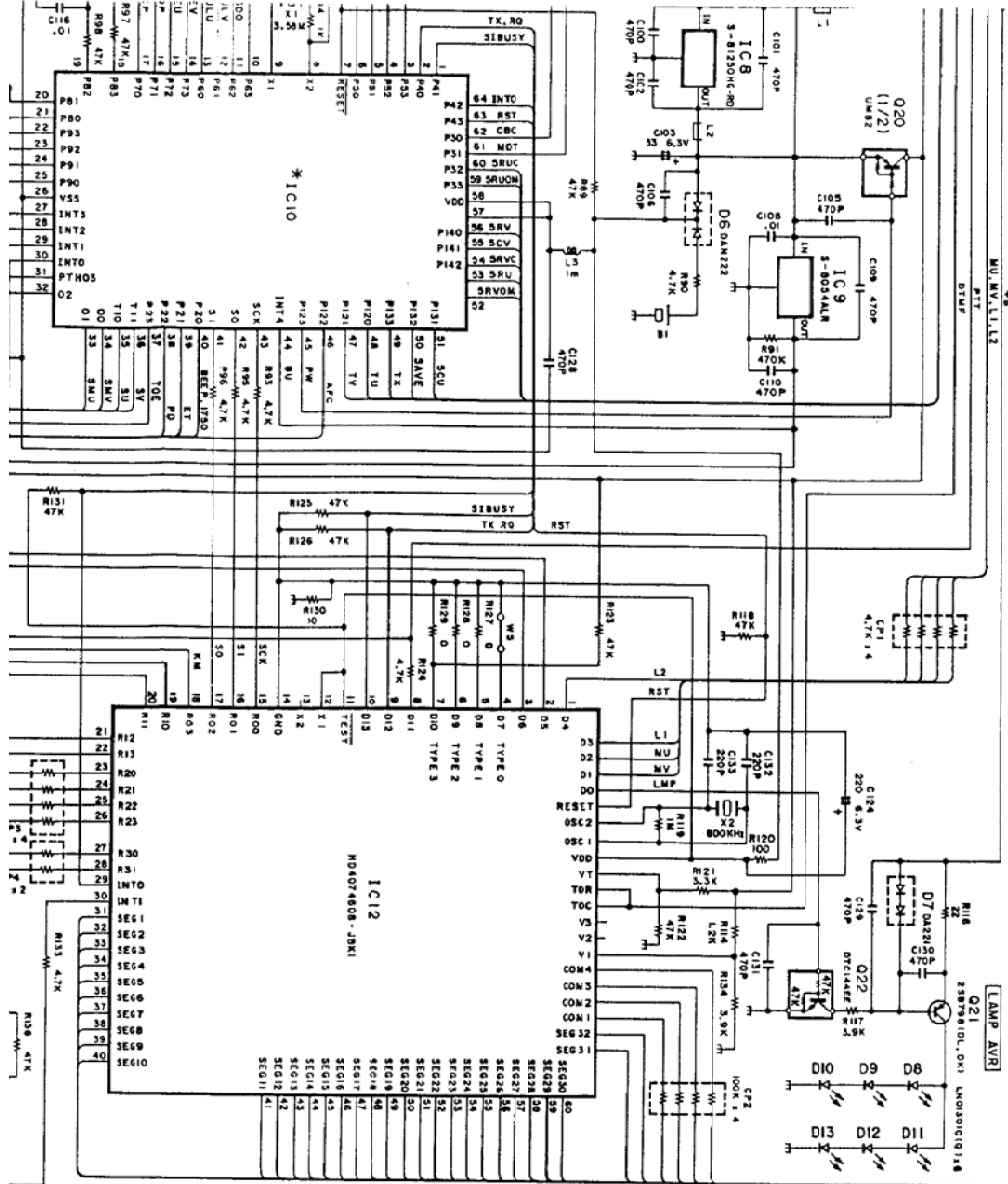
C64 2.2 4V

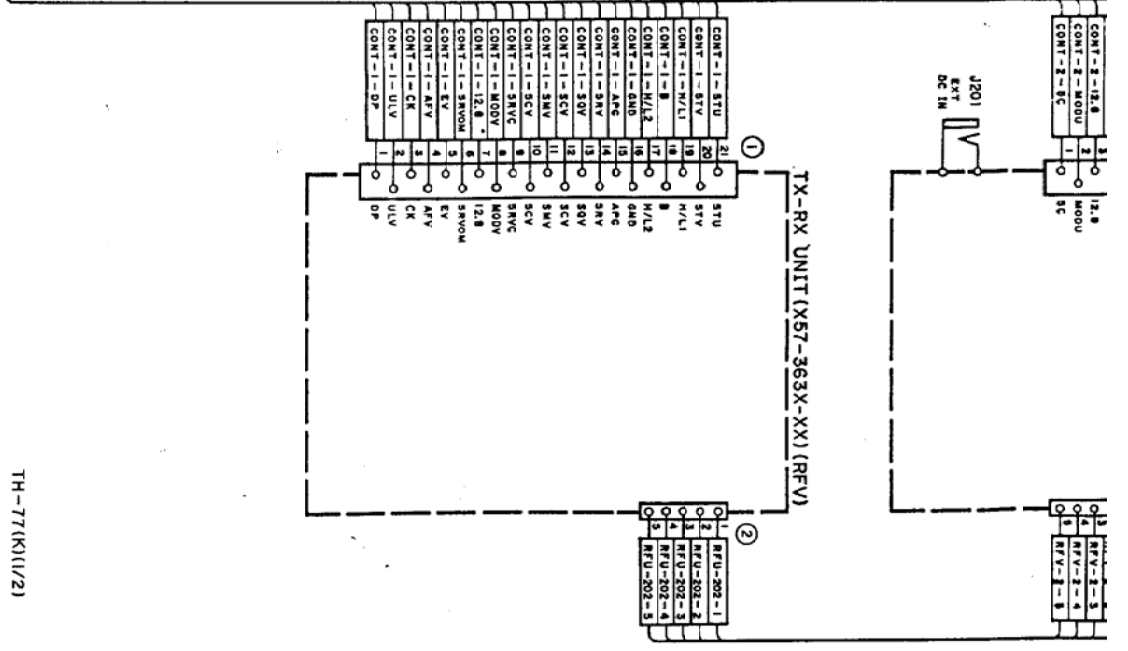
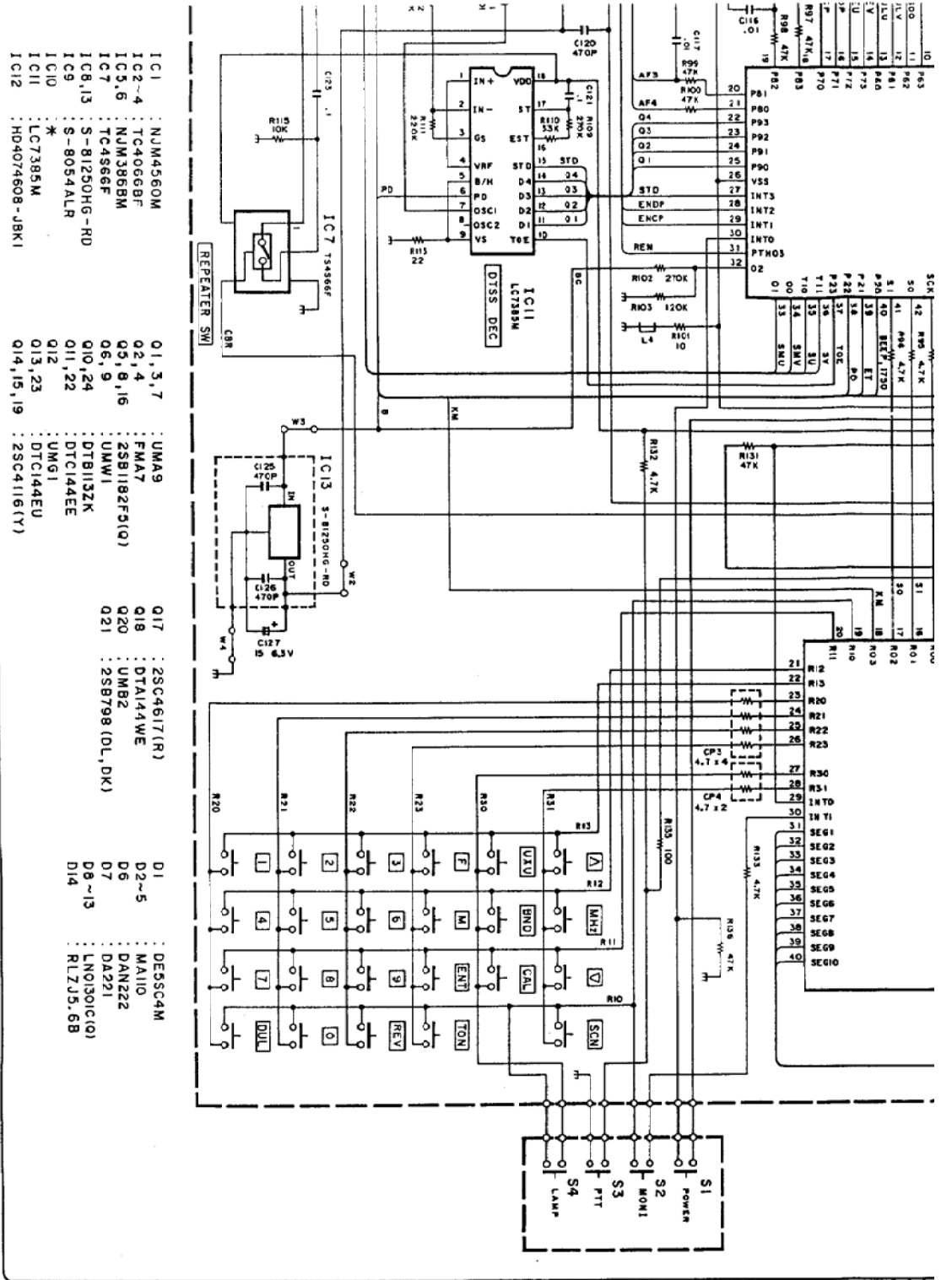
R70 0

RESET

DTR 37P

RESET



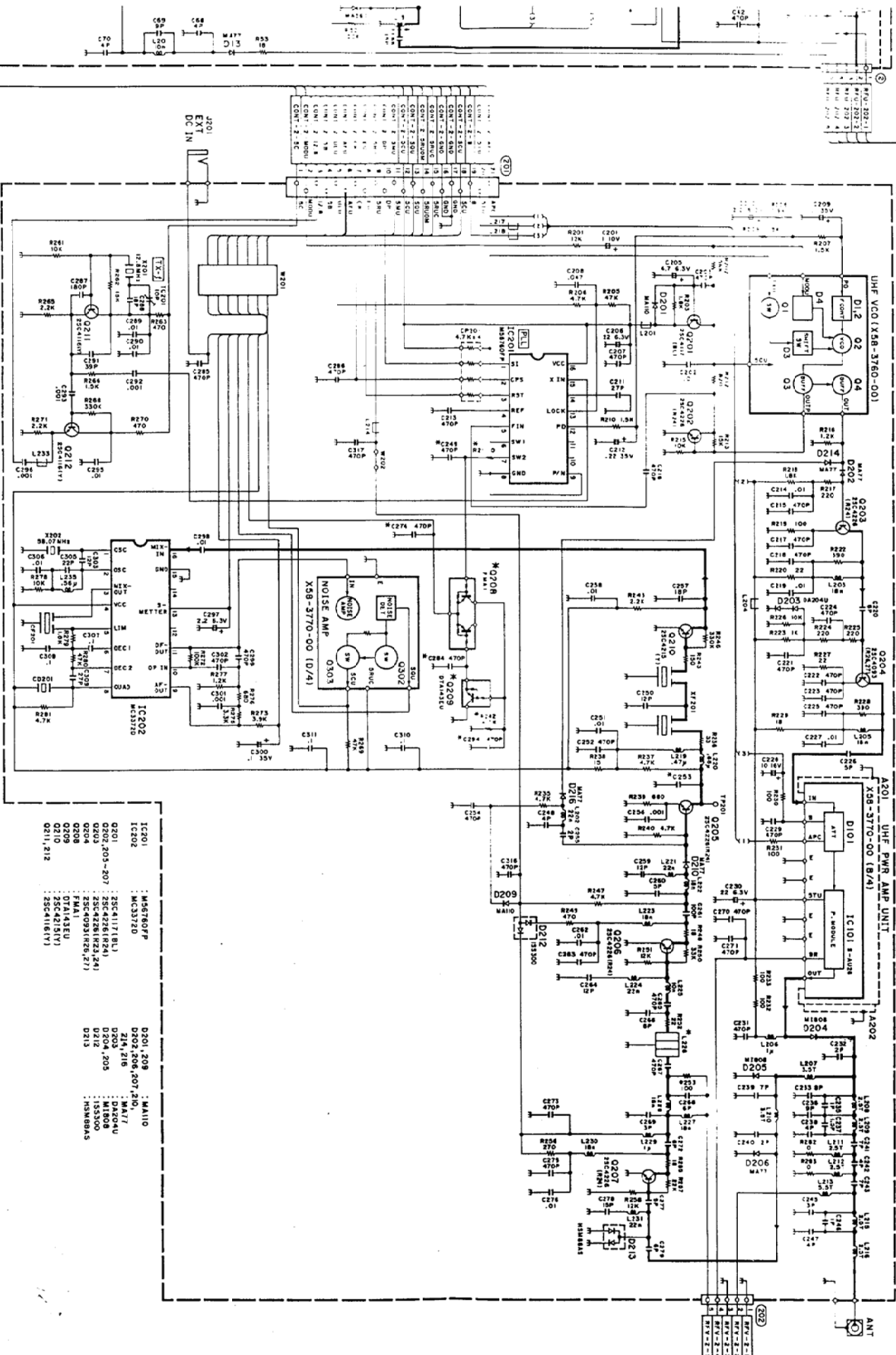


TH-77(K)(1/2)

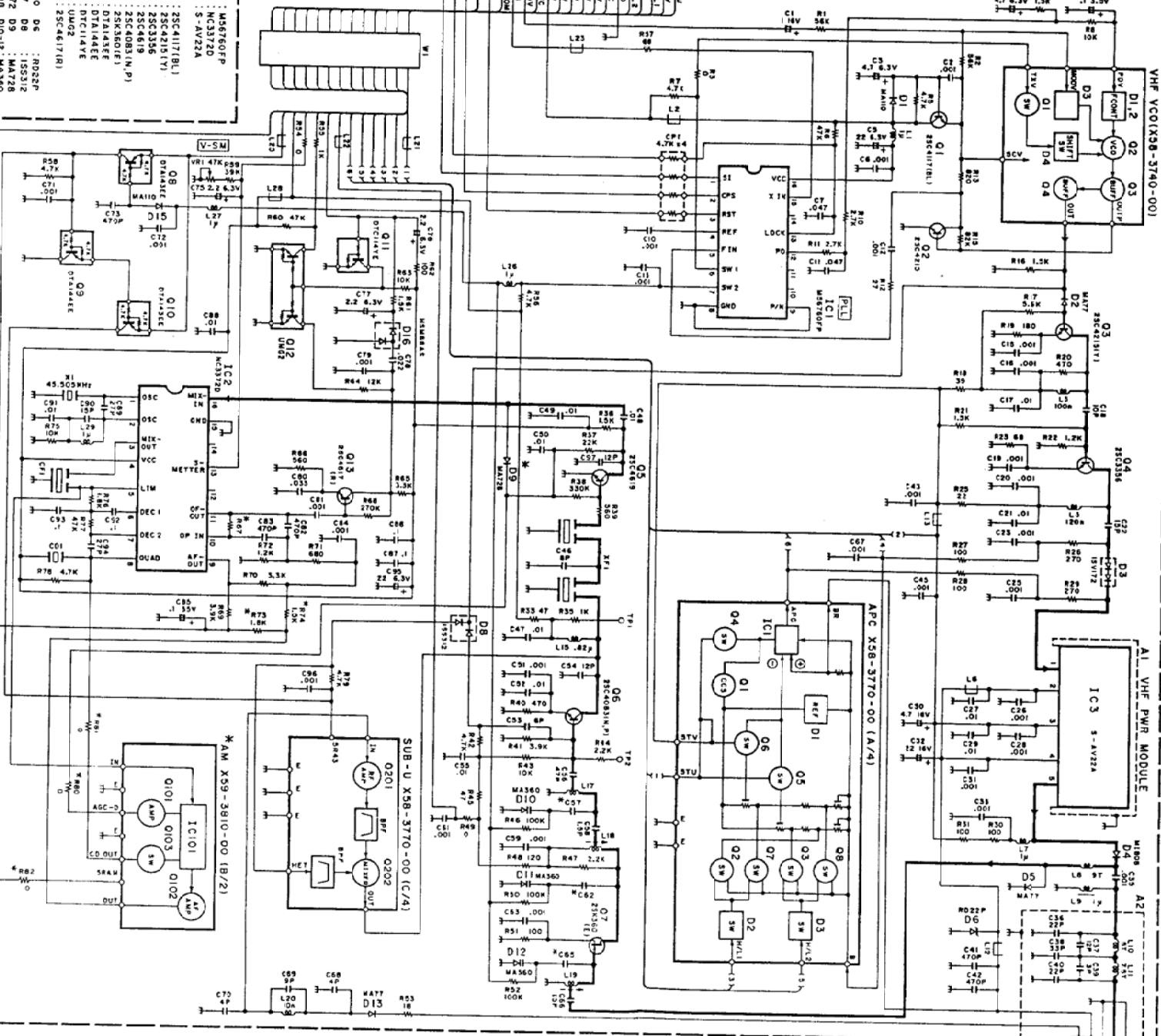
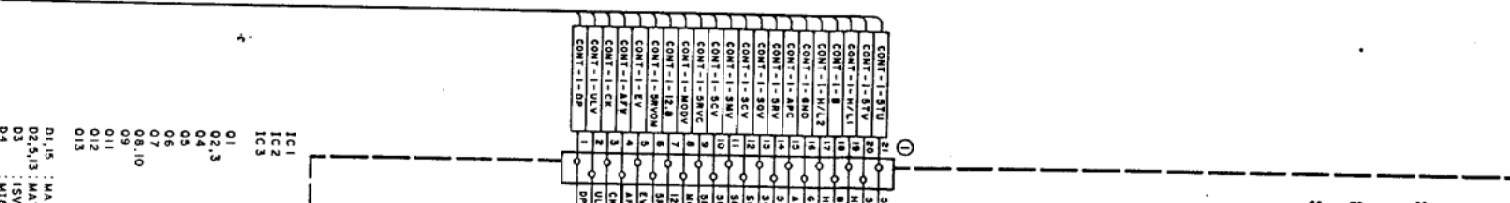
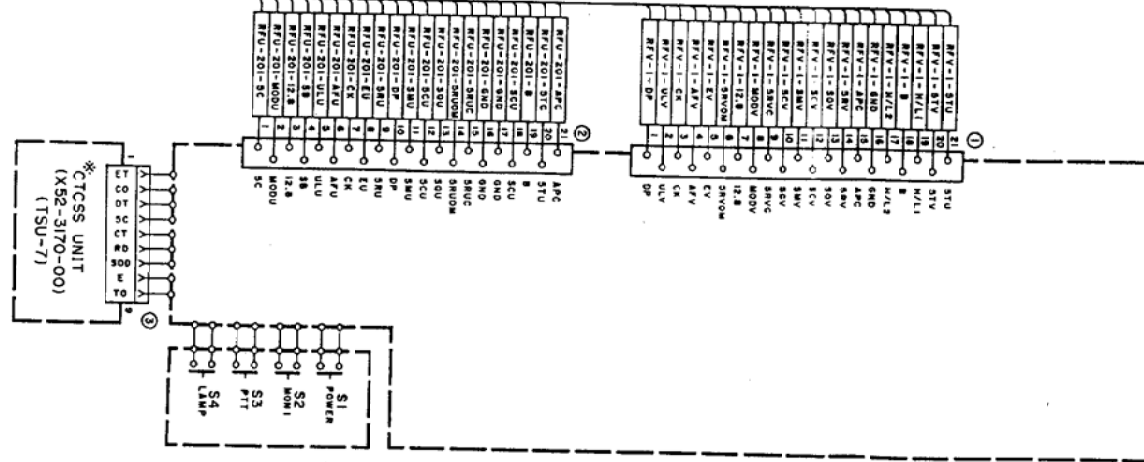
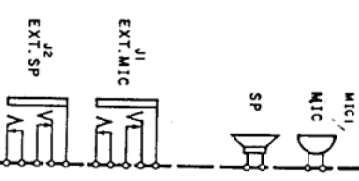
Note:
Circuit is subject to change without notice due to advancements in technology.

- | | | | | | |
|---------|------------------|-------------|----------------|-------|--------------|
| IC1 | : NJM4560M | Q1, 3, 7 | : UMA9 | D1 | : DE55C4M |
| IC2-4 | : TC4066BF | Q2, 4 | : FMA7 | D2-5 | : MA110 |
| IC5, 6 | : NJM3868M | Q3, 6, 16 | : ZSB1182FC(Q) | D6 | : DAN22 |
| IC7 | : TC4866F | Q6, 9 | : UMW1 | D7 | : DA221 |
| IC8, 13 | : S-81250HG-RD | Q10, 24 | : DTB113ZK | D8-13 | : LNC130C(O) |
| IC9 | : S-8054ALR | Q11, 22 | : DTC144EE | D14 | : RLZJ5.68 |
| IC10 | : * | Q12 | : UMG1 | | |
| IC11 | : LC7385M | Q13, 23 | : DTC144EU | | |
| IC12 | : HD4074608-JBK1 | Q14, 15, 19 | : ZSC4116(Y) | | |

TX-RX UNIT (X57-363X-XX : RFU)(B/3)



- | | | | |
|---------------|------------------|---------------------|---------|
| IC201 | MS6780FP | D201, 208 | MA110 |
| IC202 | MC3372D | D202, 206, 207, 210 | MA17 |
| Q201 | 2SC4117(BL) | D203 | DA204U |
| Q202, 205-207 | 2SC4226(B24) | D204, 205 | MA108 |
| Q203 | 2SC4226(B23, 24) | D212 | SS300 |
| Q204 | 2SC4093(B25, 27) | D213 | HSNBBAS |
| Q208 | FMA1 | | |
| Q209 | OTAJ3EU | | |
| Q210 | 2SC4215(V) | | |
| Q211, 212 | 2SC4116(FV) | | |



- IC1 : M56760FP
- IC2 : NC3372D
- IC3 : S-AV22A
- 01 : 3SC4117(BL)
- 02,3 : 3SC4216(V)
- 04 : 3SC4336
- 05 : 3SC4619
- 06 : 3SC4831(N,P)
- 07 : 3SC4831(N,P)
- 08,10 : DIALLAKE
- 09 : DIALLAKE
- 011 : DIALLAKE
- 012 : UMZC
- 013 : 3SC4617(R)
- D1,5 : MAL10
- D2,4,13 : MA77
- D3 : ISV17Z D9
- D4 : M1008
- D16 : M5M68AS

